



AFGS Grid

Architectural Flying Grid System

The AFGS system is an architecturally pleasing spherical array system for loudspeakers. Its adjustable spokes and steering arms assure ease of installation and its adjustability offers precise aiming of sound for the most optimum sound coverage.

Because of its versatility, appearance and secure and predictable installations, the AFGS Grid System is used in a wide variety of venues, including theaters, houses of worship, sport arenas, auditoriums and theme parks. Often times, the AFGS is used back to back to form full 360 degree clusters.

The AFGS is supported independently from its four load rated suspension points or is bridled in a number of ways from the same points to yield the best grid positioning.

Horizontal aiming is achieved via an adjustable suspension spoke mechanism and its horizontally rotating steering arm.

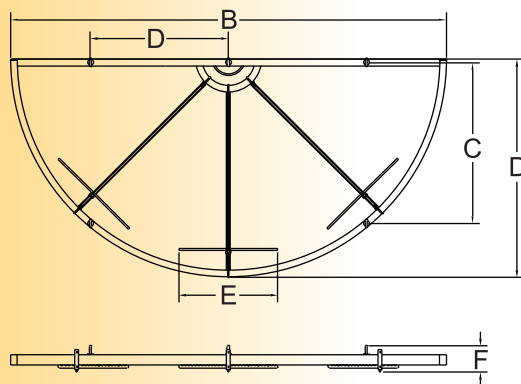
Vertical aiming is accomplished in one of two ways, based on the loudspeaker's suspension style.

For those loudspeakers equipped with fly track, suspension cables attach from the track to the steering arm. The placement of the cables on the track, relative to the loudspeaker's center of gravity dictate the down angle.

For loudspeakers that accept eyebolts, two cables suspend the speaker to the steering arm while a third cable connects its pull back point to the rear rail of the AFGS grid. An optional Adjustable Cable Coupler can be selected to serve as the pull back mechanism.

AFGS DIMENSIONS TABLE

Dimensions	30" GRID	46" GRID	66" GRID
A	30"	46"	66"
B	60"	92"	132"
C	21.22"	33.5"	48.79"
D	16.83"	28.92"	41.79"
E	14" or 18"	18" or 24"	30" or 36"
F	8"	8"	8"



30" Grid – Select:

- AFGS-30G Grid
- AFGS-30-S Spoke
- AFGS-14A or 18A Arm

46" Grid – Select:

- AFGS-46G Grid
- AFGS-46-S Spoke
- AFGS-18A or 24A Arm

66" Grid – Select:

- AFGS-66G Grid
- AFGS-66-S Spoke
- AFGS-30A or 36A Arm

www.atmflyware.com

WARNING: Mounting and/or suspension of audio and video equipment requires experienced professionals. Improperly installed equipment can result in property damage, personal injury and/or liability to the installing contractor.

 **MADE IN THE USA**

ALWAYS USE SAFETY CABLES.